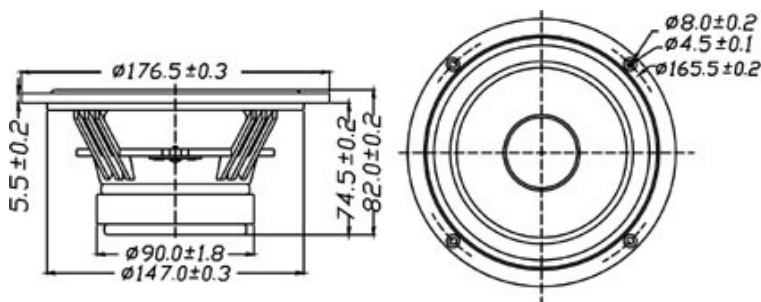


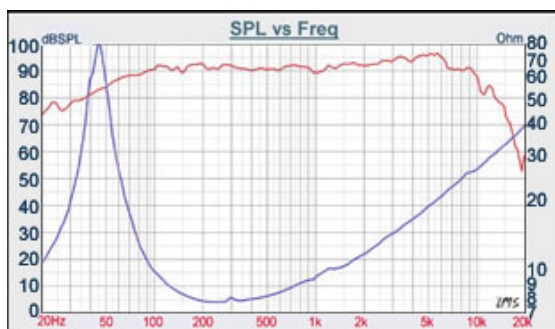
PM SERIES

W6-789D



6.5" PPM WOOFER

- PPM CONE WITH STRUCTURED SURROUND
- DIE CAST BASKET
- INTENDED FOR BASS REFLEX ENCLOSURES
- VENTED POLE PIECE
- HIGH SENSITIVITY DESIGN(SPL=92dB)



DIAPHRAGM MTL	PPM
SURROUND MTL	Structured Santoprene
NOMINAL IMPEDANCE	8 Ω
DCR IMPEDANCE	6 Ω
SENSITIVITY 1W/1m	92 dB
FREQUENCY RESPONSE	45-10K Hz
FREE AIR RESONANCE	45 Hz
VOICE COIL DIAMETER	25 mm
AIR GAP HEIGHT	6 mm
RATED POWER INPUT	15 W
MAXIMUM POWER INPUT	30 W
FORCE FACTOR, BL	5.70 TM
MAGNET WEIGHT (16oz)	451 g
MOVING MASS	8 g
FERRO FLUID ENHANCED	No
SUSPENSION COMPL.	1619MN ⁻¹
EFFEC.PISTON AREA	0.014M ²
Levc	0.5334mH
Zo	79.8104ohm
X-max	4.1 mm
Vas	45 Litr.
Qts	0.37
Qms	4.97
Qes	0.40



VOICE:886.2.26570282 FAX:886.2.26580166
E-MAIL :info@tb-speaker.com

CLOSE