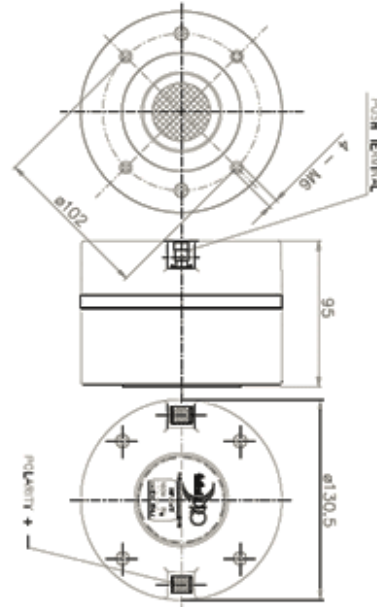




HF20AT Compression Driver



NOMINAL SPECIFICATIONS

Throat Diameter	50.8 mm (2 in)
Overall Diameter	130.5 mm (5.14 in)
Depth	95 mm (3.74 in)
90° Mounting Holes Diameter (4xM6)	102 mm (4.02 in)
Net Weight	3.3 Kg (7.28 lb)
Shipping Weight	3.5 Kg (7.72 lb)
Shipping Box	185x170x122 mm (7.28x6.69x4.80 in)

ORDERING CODES

Push Terminals - 8 Ohm Version	00743883
Faston Terminals - 8 Ohm Version	00743884
Faston Terminals - 16 Ohm Version	00743882
Push Terminals - 16 Ohm Version	00743851

ELECTRICAL SPECIFICATION

Nominal Impedance	8 ohm
Minimum Impedance	7.2 ohm
Re	5.7 ohm
Minimum Crossover Frequency *	0.9 kHz
Sensitivity (1W/1m) **	109 dB
Frequency Range	0.5±20 kHz
Nominal Power Handling ***	80 W
Maximum Power Handling ****	160 W
Diaphragm Material	Titanium
Voice Coil Diameter	75 mm (2.95 in)
Winding Material	Copper Clad Aluminium
Winding Depth	2.45 mm (0.10 in)
Former Material	Kapton
Magnetic Gap Depth	2.80 mm (0.11 in)
Flux Density	2 T

NOTES

Driver mounted on a 2" 90° x 40° horn

(*) 12 dB/oct or higher slope high-pass filter

(**) Averaged within the frequency range

(***) Test made for 2 hours with Pink Noise signal (6 dB Crest Factor) from minimum crossover frequency. Power calculated on rated minimum impedance. Driver mounted on aluminium horn.

(****) Maximum power is defined as 3dB greater than nominal power.

CURVES

