

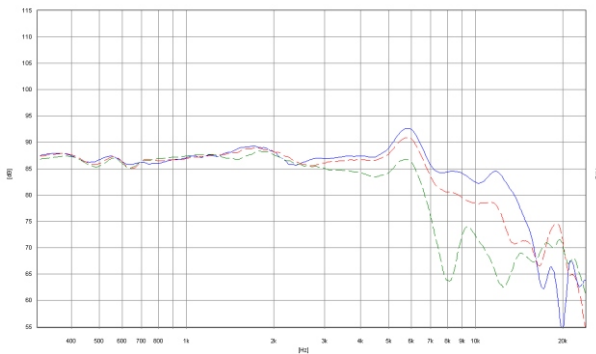
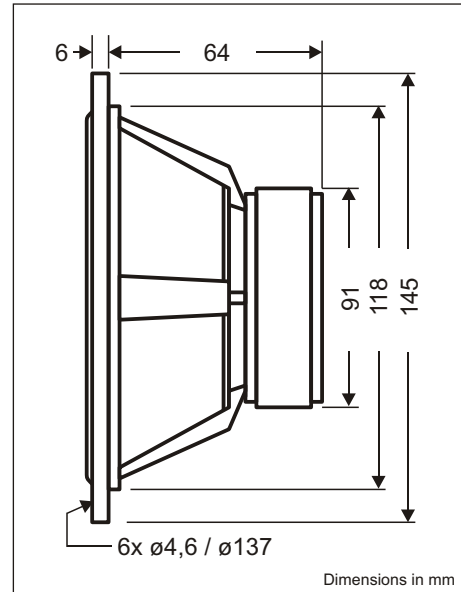
## Symphony

Ein 130er Mitteltöner mit Kapton-Spulen­träger, wurde für höchste Ansprüche entwickelt.

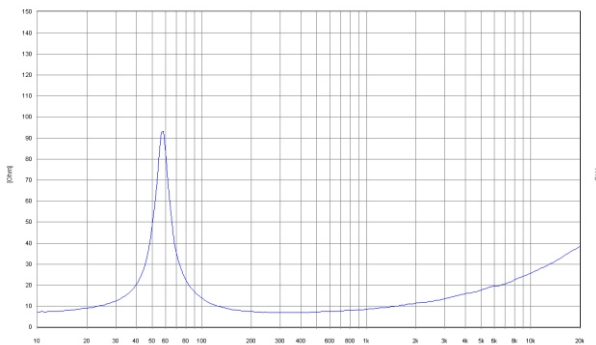
Eine dreischichtige Hexacone-Sandwich-Membrane bekannt für ihre hervorragenden akustischen Eigenschaften ist die beste Voraussetzung für eine authentische Musikwiedergabe.

An advanced high end 5-inch lower midrange driver with capton voice coil former, designed for upper bass and lower midrange performance.

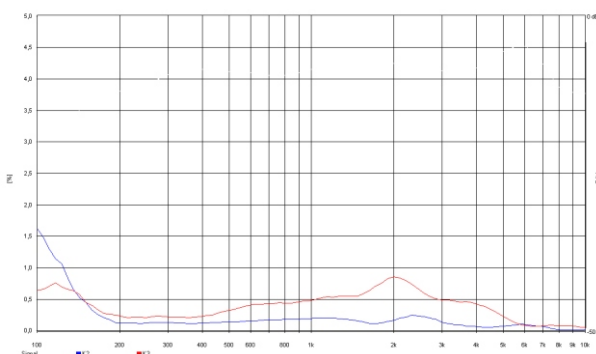
For the hexacone sandwich diaphragm a three-layer sandwich cone is used for extra rigidity and small weight. It impresses by a totally realistic sound reproduction.



The frequency responses measured free field sound pressure in 0, 15 30 degrees angle using endless baffle. Input 2,83 VRMS, microphone distance 1 m



Impedance is measured free air without baffle.



Distortion 1 Watt.

Nominal impedance	$Z_n$	8	
DC resistance	$R_e$	6.3	
Resonance frequency 1W	$f_r$	48	Hz
Resonance frequency TS-parameter-meas.	$f_r$	57	Hz
Suspension compliance	$C_{MS}$	0.96	mm/N
Mechanical Q	$Q_{MS}$	5.94	
Electrical Q	$Q_{ES}$	0.43	
Total Q	$Q_{TS}$	0.40	
Mechanical resistance	$R_{MS}$	0.49	kg/s
Total moving mass (including air mass)	$M_{MD}$	8.05	g
Effective piston area	$S_D$	80	cm <sup>2</sup>
Voice coil diameter		25	mm
Voice coil former		Kapton	
Voice coil length		12.5	mm
Voice coil layers		2	
Voice coil inductance	$L_e$	0.56	mH
Flux density	$B$	1.15	Tesla
Force factor	$B_L \times l$	6.59	Tm
Height of the gap		6	mm
Diameter of magnet		90	mm
Height of magnet		17	mm
Weight of speaker		1.20	kg
Characteristic SPL 1 Watt / 1 m		88	dB SPL
Rated power		70	W
Equivalent air vol. of suspension	$V_{AS}$	8.67	dm <sup>3</sup>

ETON reserves the right to change technical data

07/20